

Title		
Size	Number	Revision
Date:	12/13/2010	Sheet of
File:	C:\Users\...Current Sense.SchDoc	Drawn By:

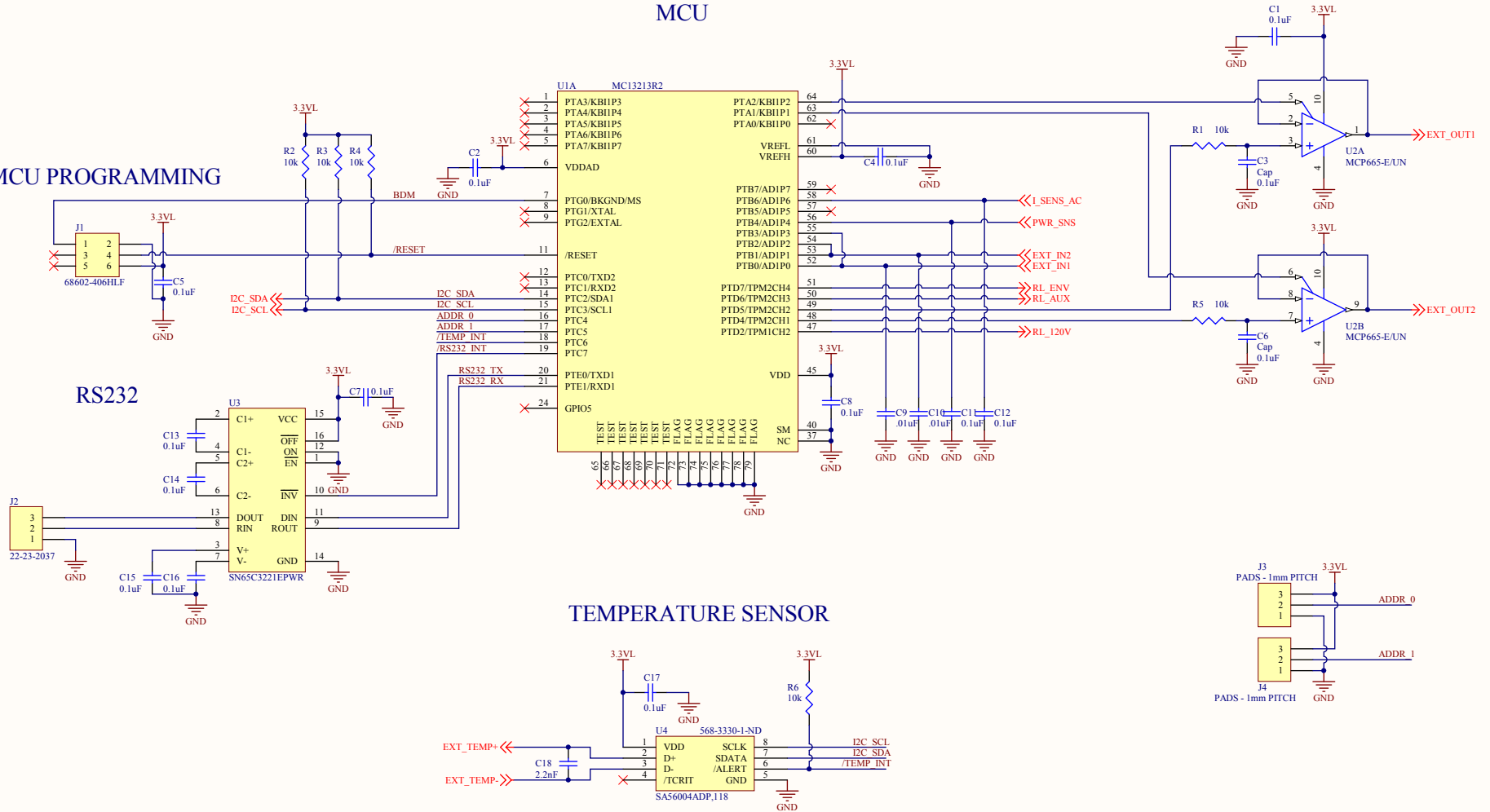
# DIGITAL TO ANALOG CONVERTERS

## MCU

### MCU PROGRAMMING

### RS232

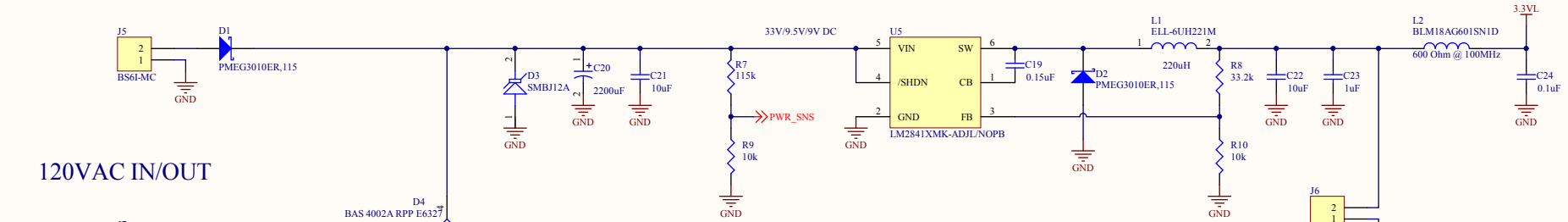
### TEMPERATURE SENSOR



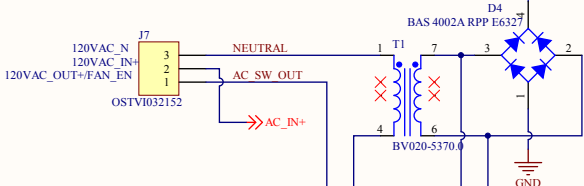
Title		
Size	Number	Revision
Date:	12/13/2010	Sheet of
File:	C:\Users\...MCU_IO_SchDoc	Drawn By:

### 9V BATTERY IN

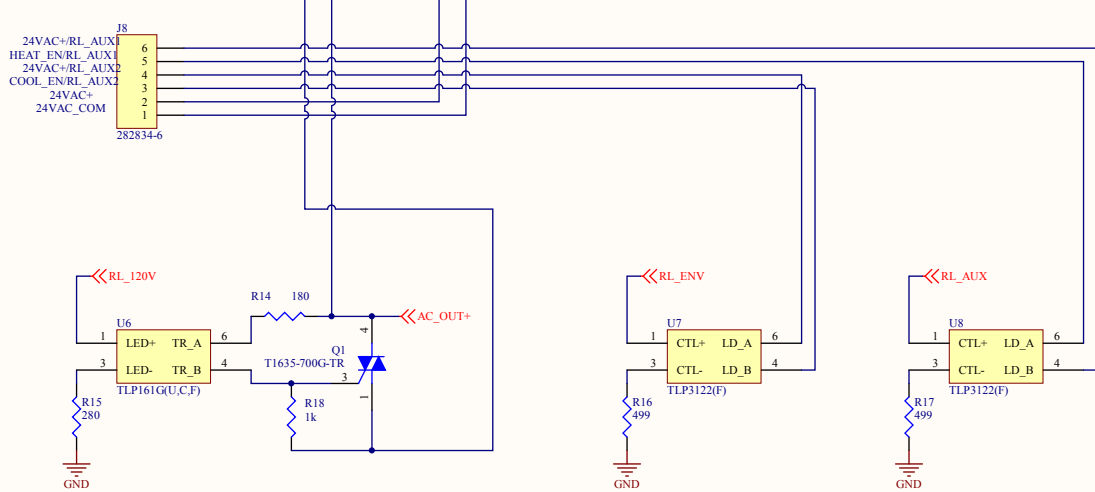
### 3.3VDC SUPPLY



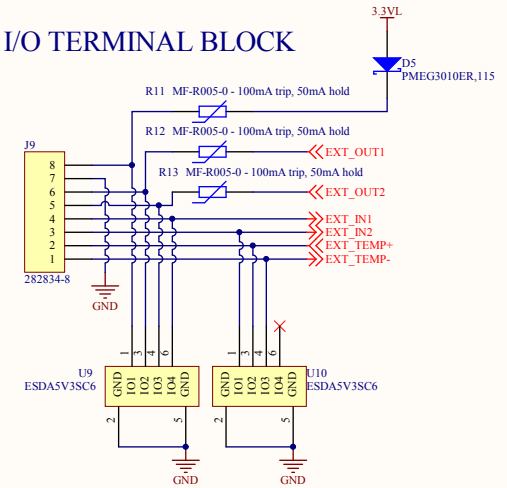
### 120VAC IN/OUT



### ENVIRO CONTROLS



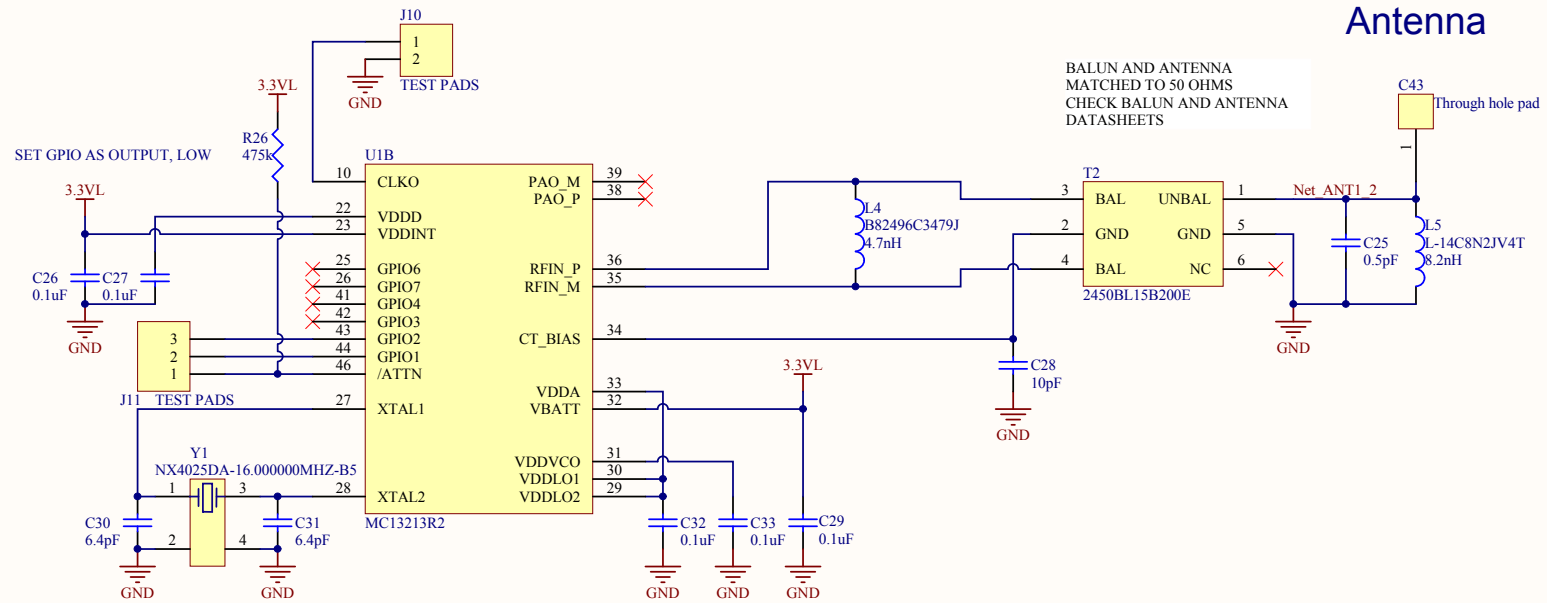
### DC I/O TERMINAL BLOCK



ENCLOSURE: HAMMOND 1591XXLSBK

Title		
Size	Number	Revision
B		
Date:	12/13/2010	Sheet of
File:	C:\Users\...Power supplies, terminals.SchDoc	Drawn By:

# Single Port ZigBee Transceiver



Title		
Size	Number	Revision
A4		
Date:	12/13/2010	Sheet of
File:	C:\Users\...RF trans.SchDoc	Drawn By:

